

Eclipse Series - NEMA 4, 12

Single Window Door Enclosures

Industrial Enclosures

Wallmount Enclosures



**Panel
Sold
Separately**



Application

- Designed to enclose electrical and/or electronic equipment in wallmount applications where viewing of component operation is necessary while maintaining protection ratings.
- Impressive styling features like hidden hinges, attractive latching systems make the Eclipse a suitable addition to any high-tech equipment installation.
- A wide range of sizes and practical accessories make this product line a complete package.
- For high temperature applications, a gasket retainer may be required, please refer to factory.

Standards

- UL 508 Type 3R, 4 and 12
- CSA Type 3R, 4 and 12
- **Complies with**
 - NEMA 3R, 4 and 12
 - IEC 60529, IP66

Construction

- Formed 14 or 16 gauge steel.
- Full view UV resistant polycarbonate window allow maximum viewing area of inner panel.
- Smooth, continuously welded seams ground smooth.
- Door stiffeners are provided where required for increased strength and rigidity - designed to also permit additional mounting options.
- Formed lip on enclosure to exclude flowing liquids and contaminants.
- Door latches feature the added safety of quarter turn slot requiring use of tool for opening.
- Doors may be easily removed for modifications and are interchangeable.
- Oil resistant gaskets are permanently secured.
- Collar studs provided for mounting inner panel.
- Includes hardware kit with panel mounting nuts and sealing washers for wall mounting holes.
- Bonding stud provided on door and grounding stud installed in enclosure.
- Hinges are constructed from 304 stainless steel.
- Hinge pins are stainless steel.
- Quarter turn latches are zinc diecast with black epoxy finish.

Finish

- Cover and enclosure are phosphatized and finished with a recoatable powder inside and out with choice of ANSI 61 smooth Gray (GY) or RAL7035 textured light gray (LG).
- RAL7032 textured beige (CG) versions with gland plates are available as non-stock items.

Accessories

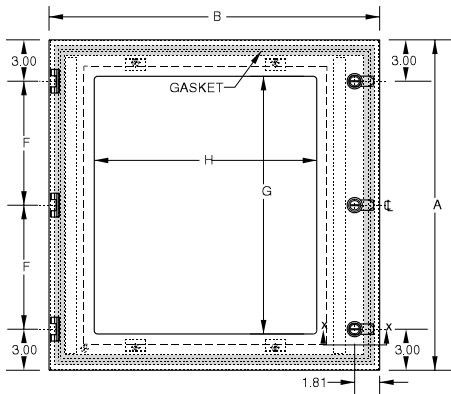
- Air conditioners...see page **387-405**
- Blowers...see page **407**
- Breather kits...see page **423**
- DIN rails...see page **29**
- DIN rail mounting kit...see page **29**
- Door stop kit...see page **447**
- Filter fans...see page **408-413**
- Gland Plates...see page **441**
- Heaters...see page **418-420**
- Handles...see page **30**
- Inner panel...see page **28**
- Quarter turn inserts and keys ...see page **30**
- Literature pocket...see page **451**
- Mounting foot kit...see page **30**
- Swing frame...see page **29**
- Swing panel...see page **28**
- Replacement hinge pins...see page **28**
- Replacement quarter turn assemblies...see page **30**
- Thermostats...see page **421**
- Touch up paint...see page **450**
- UL/CSA approved hardware kit ...see page **430**
- Padlock Adapter (EPA)...see page **431**

Technical references and DXF downloads available at www.hamfmg.com

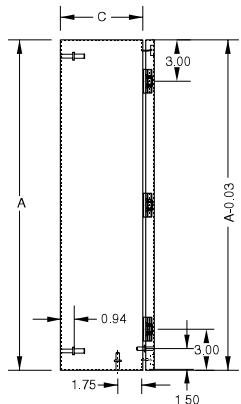
All dimensions in inches unless specified otherwise

Eclipse Series - NEMA 4, 12 Single Window Door Enclosures

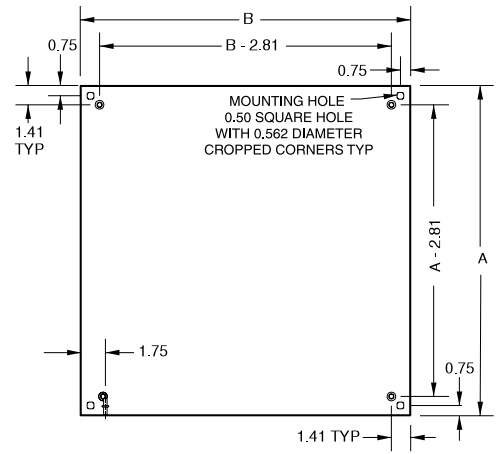
Industrial Enclosures
Wallmount Enclosures



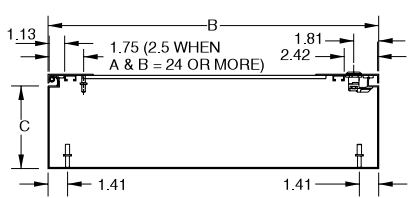
Front View



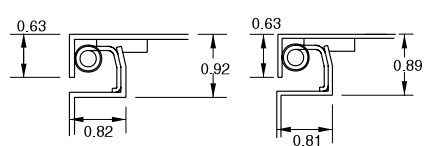
Side View
Hinge Side



Front Section
Door & Body Flange Removed

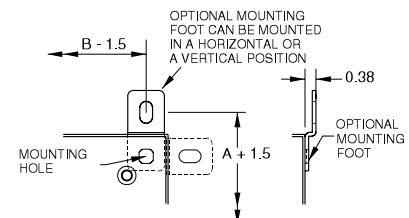


End View



**Cross Section
of 14 gauge
Body & Door**

**Cross Section
of 16 gauge
Body & Door**



Mounting Detail
Door & Body Flange Removed

Part No. (ANSI 61 Gray)	Part No. (RAL7035 Light Gray)	Overall Dimensions			Door/ Body Gauge	Latch ¹ Qty	Hinge Qty	F	Viewing Area			Optional Panel Part No.	Inner Panel Dimensions		Ship Wt. lbs
		A	B	C				G	H			D	E		
EN4SD16126WGY	EN4SD16126WLG	16	12	6	16	1	2	10	11.33	6.71	EP1612	14.2	10.2	16	
EN4SD20166WGY	EN4SD20166WLG	20	16	6	16	1	2	14	15.33	10.71	EP2016	18.2	14.2	22	
EN4SD20206WGY	EN4SD20206WLG	20	20	6	16	1	2	14	15.33	14.71	EP2020	18.2	18.2	26	
EN4SD24206WGY	EN4SD24206WLG	24	20	6	16	1	2	18	19.33	14.71	EP2420	22.2	18.2	30	
EN4SD24246WGY	EN4SD24246WLG	24	24	6	14	2	2	18	19.33	16.15	EP2424	22.2	22.2	37	
EN4SD16128WGY	EN4SD16128WLG	16	12	8	16	1	2	10	11.33	6.71	EP1612	14.2	10.2	16	
EN4SD20168WGY	EN4SD20168WLG	20	16	8	16	1	2	14	15.33	10.71	EP2016	18.2	14.2	25	
EN4SD20208WGY	EN4SD20208WLG	20	20	8	16	1	2	14	15.33	14.71	EP2020	18.2	18.2	28	
EN4SD24208WGY	EN4SD24208WLG	24	20	8	16	1	2	18	19.33	14.71	EP2420	22.2	18.2	32	
EN4SD24248WGY	EN4SD24248WLG	24	24	8	14	2	2	18	19.33	16.15	EP2424	22.2	22.2	40	
EN4SD30248WGY	EN4SD30248WLG	30	24	8	14	2	3	12	25.33	16.15	EP3024	28.2	22.2	46	
EN4SD202012WGY	EN4SD202012WLG	20	20	12	16	1	2	18	15.33	14.71	EP2020	18.2	18.2	34	
EN4SD242012WGY	EN4SD242012WLG	24	20	12	16	1	2	18	19.33	14.71	EP2420	22.2	18.2	38	
EN4SD242412WGY	EN4SD242412WLG	24	24	12	14	2	2	18	18.33	16.15	EP2424	22.2	22.2	47	
EN4SD302412WGY	EN4SD302412WLG	30	24	12	14	2	3	12	24.33	16.15	EP3024	28.2	22.2	57	
EN4SD242416WGY	EN4SD242416WLG	24	24	16	14	2	2	18	18.33	16.15	EP2424	22.2	22.2	66	
EN4SD242420WGY	EN4SD242420WLG	24	24	20	14	2	2	18	18.33	16.15	EP2424	22.2	22.2	70	
EN4SD302420WGY	EN4SD302420WLG	30	24	20	14	2	3	12	24.71	16.15	EP3024	28.2	22.2	82	

¹ All Window Door latch types are quarter turns.