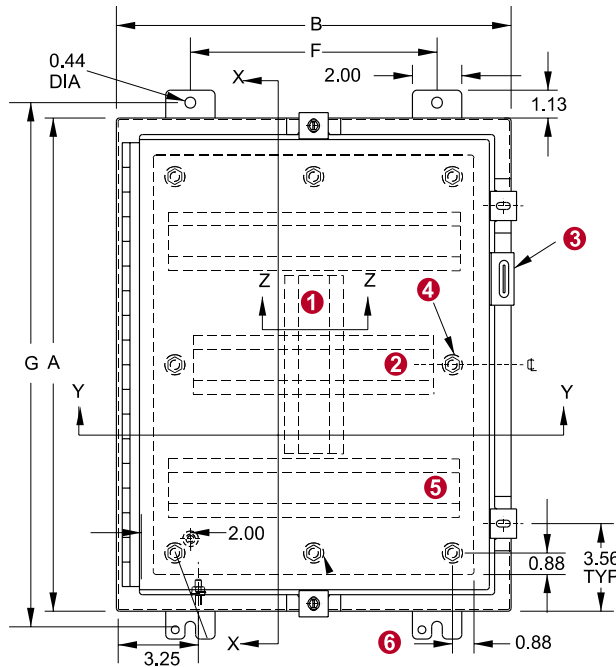
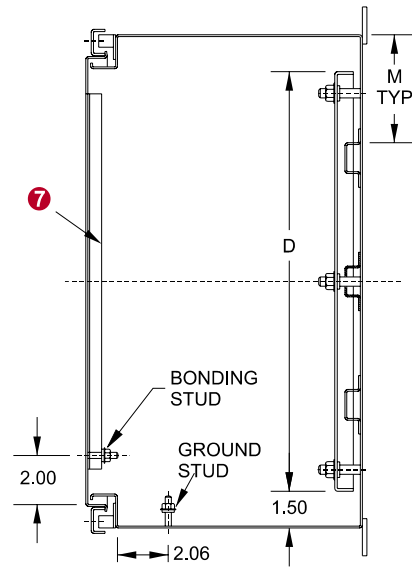


1418 Series Single Door Aluminum Enclosures - NEMA 4

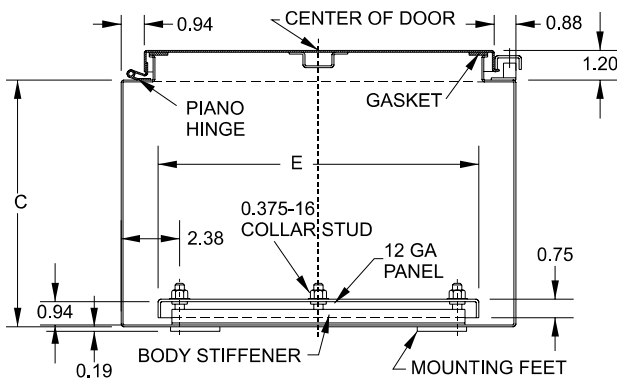
Continuous Hinge, Clamped Cover



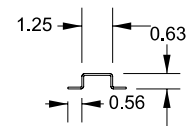
Front View



Side View



Section Y-Y



Section Z-Z

- ① Vertical stiffener required on KK and M only.
- ② Omit center body stiffener if A is less than 41".
- ③ Padlocking hasp and staple.
- ④ Omit 2 middle studs if A is less than 31".
- ⑤ Omit body stiffeners if A or B is less than 29 .
- ⑥ Omit 2 middle studs if B is less than 31".
- ⑦ Omit door stiffener if A or B is less than 31".

Part No.	Panel Size					Mtg. Centers		Ship Wt. lbs.
	A	B	C	D	E	F	G	
1418N4ALB6 ^{1,2}	16	12	6	13	9	9.5	17.25	14
1418N4ALC6 ^{1,2}	20	16	6	17	13	10.0	21.25	16
1418N4ALE6 ¹	24	20	6	21	17	14.0	25.25	21
1418N4ALJ8	24	24	8	21	21	18.0	25.25	26
1418N4ALK8	30	24	8	27	21	18.0	31.25	39
1418N4ALM8	36	30	8	33	27	24.0	37.25	42
1418N4ALS8	48	36	8	45	33	28.0	49.25	56
1418N4ALC10 ^{1,2}	20	16	10	17	13	10.0	21.25	19
1418N4ALE10 ¹	24	20	10	21	17	14.0	25.25	24
1418N4ALK12	30	24	12	27	21	18.0	31.25	36
1418N4ALM12	36	30	12	33	27	24.0	37.25	47
1418N4ALT12	60	36	12	57	33	30.0	61.25	83

When A=	M=
30	7.00
36	9.00
42	9.88
48	11.38
60	14.38

¹ Meets UL standards

² Flat panel

Technical references and DXF downloads available at www.hamfmg.com

All dimensions in inches unless specified otherwise

Quality Enclosures. Service Excellence.