

# 1414 N4 PHSS Series 304 Stainless Steel Enclosures - NEMA 4X

Continuous Hinge, Clamped Cover



Corrosion Resistant Junction Boxes

## Application

- Designed for use as instrument enclosures, electric, hydraulic or pneumatic control housings, electrical junction boxes or terminal wiring enclosures.
- Provides protection where equipment may be hosed down or otherwise be very wet, or in specific applications where corrosion may be a problem.

## Standards

- UL 508 Type 3R, 4, 4X, 12 and 13
- CSA Type 3R, 4, 4X, 12 and 13
- **Complies with**
  - NEMA Type 3R, 4, 4X, 12 and 13
  - JIC EGP-1-1967
  - IEC 60529, IP66

## Construction

- Formed from 14 gauge Type 304 stainless steel without knockouts, cutouts or holes.
- Smooth, continuously welded seams.
- Welded brackets provide for enclosure mounting.
- Continuous stainless steel hinged cover is secured with stainless steel clamps and screws.
- Oil resistant gaskets are permanently secured.
- All models include a removable 14 gauge inner panel.
- Tapped studs are provided for mounting inner panels.
- A bonding stud is provided on the door and a grounding stud is provided in the enclosure.

## Finish

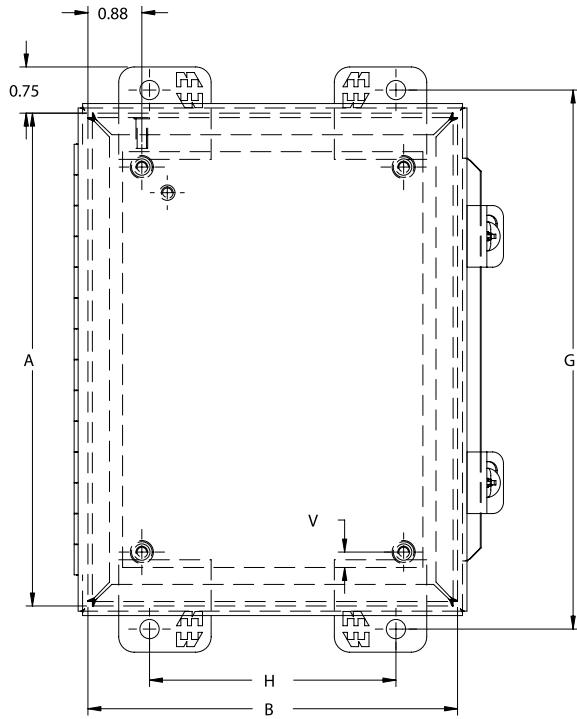
- Cover and enclosure are natural stainless steel with a smooth brushed finish.
- Removable inner panel is finished in white powder coating.

## Accessories

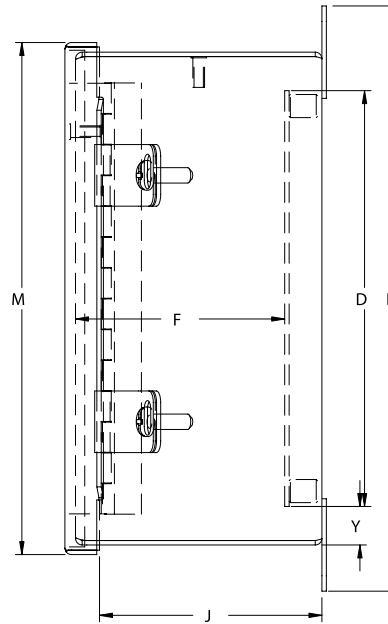
- Additional inner panels...see page **433**
- Breather kits...see page **423**
- Door clamping hardware  
...see page **427**
- Filter fans...see page **408-414**
- Heaters...see page **418-420**
- Louvered ventilating plates  
...see page **450**
- Terminal kit assemblies  
...see page **436**
- Thermostats...see page **421-422**
- Window kits...see page **444**

# 1414 N4 PHSS Series 304 Stainless Steel Enclosures - NEMA 4X

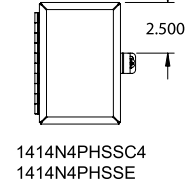
Continuous Hinge, Clamped Cover



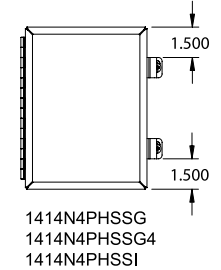
**Front View**



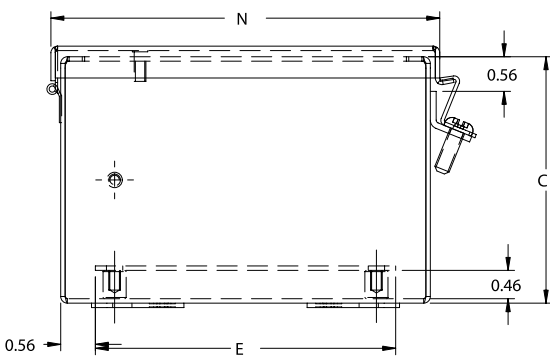
**Side View**



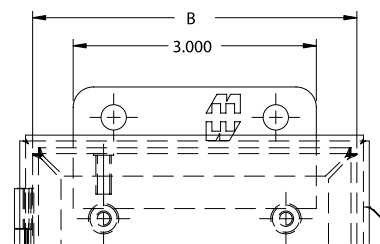
1414N4PHSSC4  
1414N4PHSSE



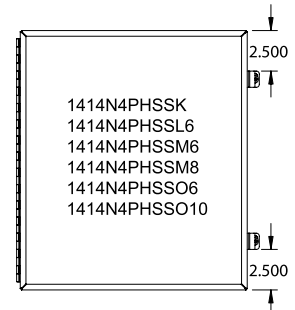
1414N4PHSSG  
1414N4PHSSG4  
1414N4PHSSI



**Bottom View**



**Mounting Detail When B= 4**



1414N4PHSSK  
1414N4PHSSL6  
1414N4PHSSM6  
1414N4PHSSM8  
1414N4PHSSO6  
1414N4PHSSO10

Part Number With Inner Panel	Part Number Without Inner Panel	Dimensions			Panel Size		Mounting Centers				Cover Dimensions				Ship Weight w/ w/o Panel Panel		
		A	B	C	D	E	F	G	H	J	L	M	N	V	Y	Panel	Panel
1414N4PHSSC4	1414N4PHSSC4LP	6.0	4.0	4.0	4.88	2.88	3.5	6.75	2.0	3.6	7.5	6.31	4.31	0.31	0.56	5	4
1414N4PHSSE	1414N4PHSSELP	6.0	6.0	4.0	4.88	4.88	3.5	6.75	4.0	3.6	7.5	6.31	6.31	0.31	0.56	6	5
1414N4PHSSG	1414N4PHSSGLP	8.0	6.0	3.5	6.75	4.88	3.0	8.75	4.0	3.1	9.5	8.31	6.31	0.25	0.63	6	5
1414N4PHSSG4	1414N4PHSSG4LP	8.0	6.0	4.0	6.75	4.88	3.5	8.75	4.0	3.6	9.5	8.31	6.31	0.25	0.63	8	7
1414N4PHSSI	1414N4PHSSILP	10.0	8.0	4.0	8.75	6.88	3.5	10.75	6.0	3.6	11.5	10.31	8.31	0.25	0.63	10	9
1414N4PHSSK	1414N4PHSSKLP	12.0	10.0	5.0	10.75	8.88	4.5	12.75	8.0	4.6	13.5	12.31	10.31	0.25	0.63	15	13
1414N4PHSSL6	1414N4PHSSL6LP	12.0	12.0	6.0	10.75	10.88	5.5	12.75	10.0	5.6	13.5	12.31	12.31	0.25	0.63	20	18
1414N4PHSSM6	1414N4PHSSM6LP	14.0	12.0	6.0	12.75	10.88	5.5	14.75	10.0	5.6	15.5	14.31	12.31	0.25	0.63	21	19
1414N4PHSSO6	1414N4PHSSO6LP	16.0	14.0	6.0	14.75	12.88	5.5	16.75	12.0	5.6	17.5	16.31	14.31	0.25	0.63	26	23
1414N4PHSSM8	1414N4PHSSM8LP	14.0	12.0	8.0	12.75	10.88	7.5	14.75	10.0	7.6	15.5	14.31	12.31	0.25	0.63	22	20
1414N4PHSSO10	1414N4PHSSO10LP	16.0	14.0	10.0	14.75	12.88	9.5	16.75	12.0	9.6	17.5	16.31	14.31	0.25	0.63	28	25

Technical references and DXF downloads available at [www.hamfmfg.com](http://www.hamfmfg.com)

All dimensions in inches unless specified otherwise

**Quality Enclosures. Service Excellence.**

Corrosion Resistant Junction Boxes