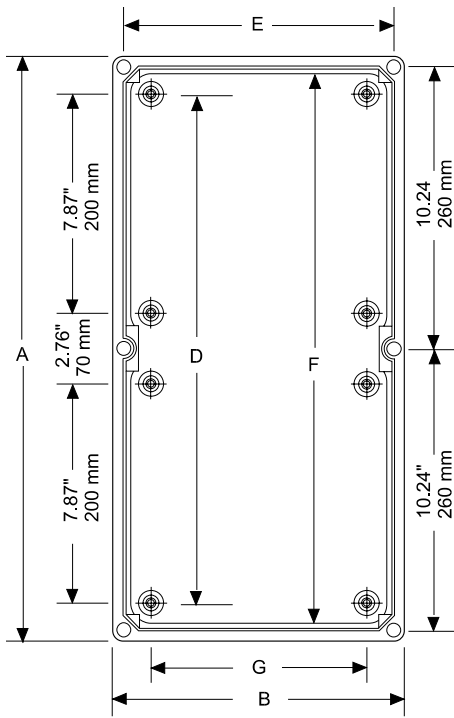
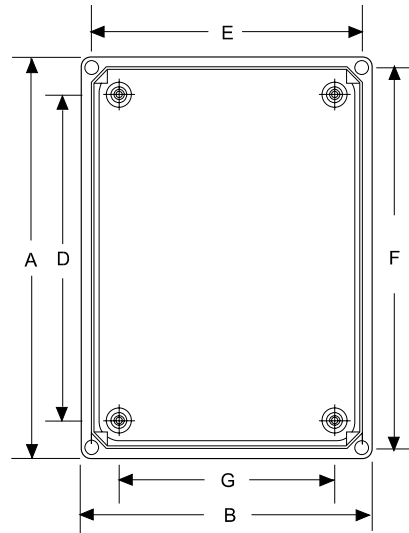


Polyester Modular Enclosures - NEMA 4X

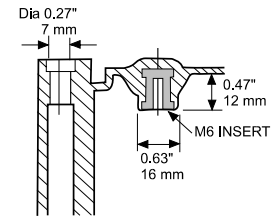
PB Series - Solid Cover



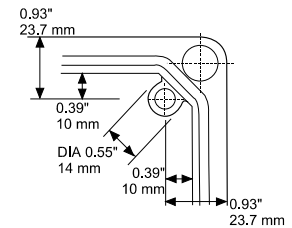
**Base Front View
PB542718**



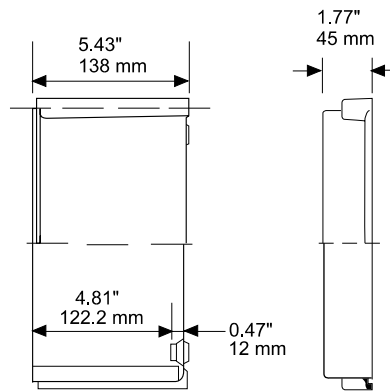
**Base Front View
PB271818, PB272718,
PB362718**



**Cross Section of
Base Inside Corner
with M6 Insert**

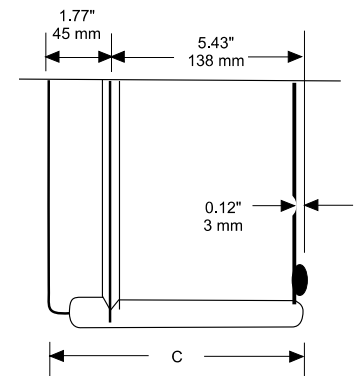


**Typical Corner View
Polyester Cover**



**Base Side
View**

**Lid Side
View**



**Assembled
Side View**

Corrosion Resistant Junction Boxes

Solid Lid Part No.	Units	Overall Dimensions							Opt. Steel Inner Panel ¹	Inner Panel Dimensions	Ship Wt. lbs
		A	B	C	D	E	F	G			
PB271818	inch	10.6	7.1	7.1	7.9	6.3	9.8	4.3	PBP2718	9.06 x 5.51 230 x 140	3
	mm	270	180	180	200	159	249	110			
PB272718	inch	10.6	10.6	7.1	7.9	9.8	9.8	7.9	PBP2727	9.06 x 9.06 230 x 230	5
	mm	270	270	180	200	249	249	200			
PB362718	inch	14.2	10.6	7.1	11.4	9.8	13.3	7.9	PBP3627	12.60 x 9.06 320 x 230	5
	mm	360	270	180	290	249	339	200			
PB542718	inch	21.3	10.6	7.1	18.5	9.8	20.4	7.9	PBP5427	19.69 x 9.06 500 x 230	7
	mm	540	270	180	470	249	519	200			

¹ For aluminum panel...see page 102.

Inches are for reference only. Use metric for precise measurements.