

Polyester Modular Enclosures - NEMA 4X

PJU Series - Lift-Off, Solid and Window Door



Clear Cover

**Panel
Sold
Separately**



Corrosion Resistant

Wallmount Enclosures

Application

- Designed for use as instrument enclosures, electric, hydraulic or pneumatic control housings, electrical junction boxes or terminal wiring enclosures.
- Provides outstanding insulation and protection where equipment may be hosed down or be very wet.
- Ideal in applications with high temperatures or highly corrosive environments.

Standards

- UL 508 Type 1, 2, 3, 4, 4X, 12 and 13
- CSA Type 1, 2, 3, 4, 4X, 12 and 13
- Complies with
 - NEMA Type 1, 2, 3, 4, 4X, 12 and 13
 - IEC 60529, IP66

Construction

- Molded fiberglass polyester enclosure with matching cover is easily punched, cut, or drilled.
- Enhanced UV inhibitors protect against outdoor weathering.
- Standard JIC sizes under 18" x 16".
- Threaded brass inserts are provided for optional inner panel or terminal kit mounting. Mounting hardware is included.
- Cover fastened with captive stainless steel screws in threaded brass inserts.
- Enclosure available with clear Polycarbonate cover to 16" x 14".
- Captive oil resistant gasket provides a positive seal.
- Available with Polycarbonate flange or foot mount brackets for multi-directional mounting.
- Operating temperatures between 130°C and -40°C (266°F to -40°F).
- Impact index of 6.78J (5 ft/lb).
- For corrosion resistance information, please refer to table in the Technical Information section.

Finish

- Fiberglass polyester material has a gray finish.
- Optional inner panels are available in white powder coated finished steel or unfinished aluminum, or Fiberglass.

Accessories

- Painted steel inner panels
...see page **129**
- PJ/ PJU swing panel...see page **129**
- Unfinished aluminum inner panels...see page **129**
- Fiberglass inner panels
...see page **129**
- Terminal kit assemblies
...see page **436**

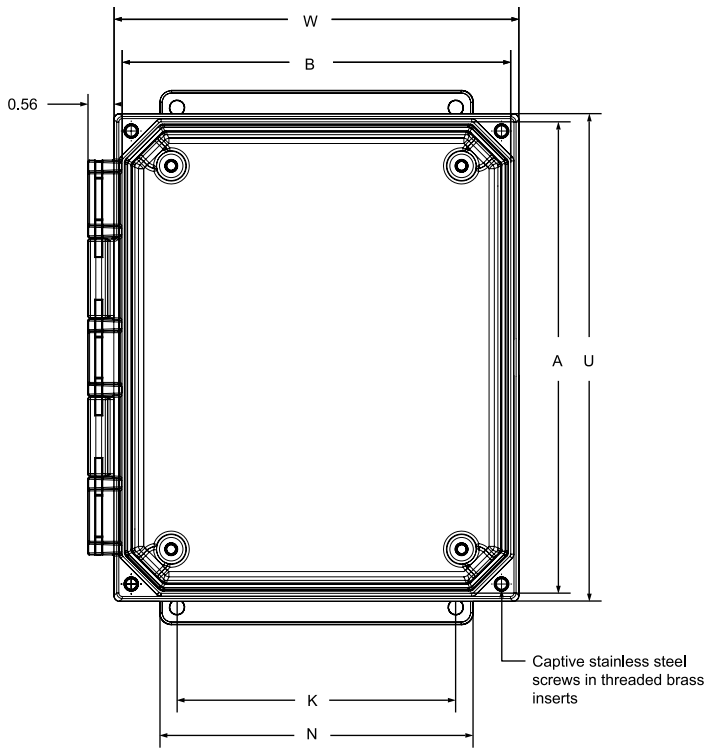
Lift-Off Cover Flange Part No.	Lift-Off Cover Feet Part No.	Overall Dimensions			Panel Size			Panel Centers		Flange Mounting Centers		
		A	B	C	D	E	F	S	Z	L	K	M
PJU664F	PJU664	6.05	6.27	4.13	4.88	4.88	4.11	4.25	4.25	6.88 / 6.75	4.05	7.62
PJU864F	PJU864	8.05	6.27	4.13	6.75	4.88	4.11	6.25	4.25	8.88 / 8.75	4.00	9.62
PJU1084F	PJU1084	10.05	8.27	4.13	8.75	6.88	4.11	10.25	6.25	10.75	6.00	11.50
PJU12106F	PJU12106	12.05	10.27	6.13	10.75	8.88	6.11	10.25	8.25	12.75	8.00	13.50
PJU14126F	PJU14126	14.05	12.27	6.13	12.75	10.88	6.11	12.25	10.25	14.75 / 14.62	10.00	15.37
PJU16148F	PJU16148	16.05	14.27	8.13	14.75	12.88	8.11	14.25	12.25	16.75	12.00	17.50
PJU181610F	PJU181610	18.30	16.52	10.13	16.88	14.88	10.11	16.25	14.25	18.88 / 18.76	12.00	20.12
PJU201610F	PJU201610	20.50	16.27	10.13	18.44	14.44	10.11	17.81	13.81	21.25	10.00	21.50

Technical references and DXF downloads available at www.hamfmfg.com

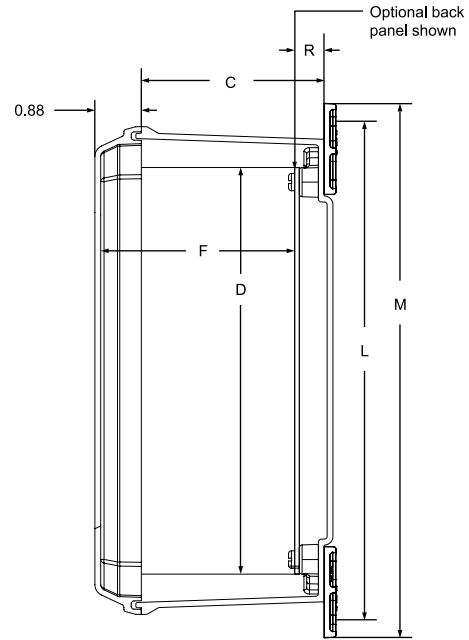
All dimensions in inches unless specified otherwise

Polyester Modular Enclosures - NEMA 4X

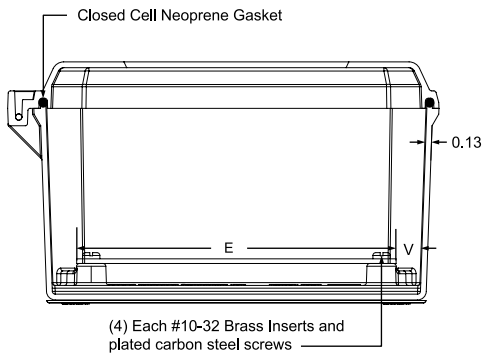
PJU Series - Lift-Off, Solid and Window Door



Front View

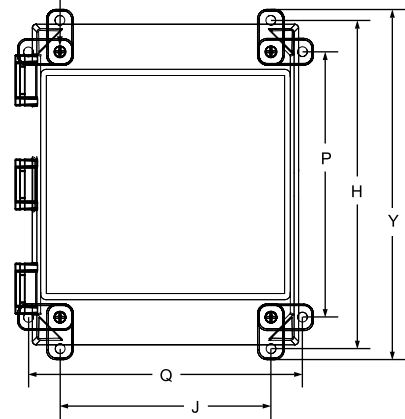


Side View



End View

(4) each #10-32 brass inserts, stainless steel flange and feet screws



Rear View

Lift-Off Clear Cover Flange Part No.	Lift-Off Clear Cover Feet Part No.	N	H	J	P	Q	U	W	Y	R	V	Optional Panel Part No.	Shipping Weight (lbs)
PJU664CCF	PJU664CC	4.80	6.75	4.91	4.69	6.97	6.50	6.72	7.47	0.70	0.52	14R0505	4
PJU864CCF	PJU864CC	4.75	8.75	4.91	6.69	6.97	8.50	6.72	9.46	0.70	0.62	14R0705	4
PJU1084CCF	PJU1084CC	6.75	10.75	6.91	8.69	8.97	10.50	8.72	11.47	0.70	0.53	14R0907	6
PJU12106CCF	PJU12106CC	8.75	12.70	8.82	10.64	10.88	12.50	10.72	13.47	0.68	0.44	14R0907	6
PJU14126CCF	PJU14126CC	10.75	14.70	10.82	12.64	12.88	14.50	12.72	15.37	0.70	0.46	14R1109	8
PJU16148CCF	PJU16148CC	12.75	16.91	11.47	13.50	14.88	16.50	14.72	17.50	0.70	0.40	14R1311	11
N/A	N/A	12.75	19.16	13.72	15.75	17.13	18.75	16.97	19.89	0.70	0.45	14R1513	12
N/A	N/A	12.75	20.53	13.16	17.13	16.56	20.50	16.72	21.28	0.70	0.50	P1868	17

For aluminum and fiberglass panels...see page 129.

Technical references and DXF downloads available at www.hamfmg.com

All dimensions in inches unless specified otherwise

Quality Enclosures. Service Excellence.

Corrosion Resistant

Wallmount Enclosures