

Polyester Enclosures - NEMA 4X

PJFS Series - Continuous Hinge Freestanding



Panel
Sold
Separately



Corrosion Resistant Freestanding Enclosures

Application

- Designed for use as instrument enclosures, electric, hydraulic or pneumatic control housings, electrical junction boxes or terminal wiring enclosures.
- Provides outstanding insulation and protection where equipment may be hosed down or be very wet.
- Ideal in applications with high temperatures or highly corrosive environments.

Standards

- UL/cUL 508 Type 1, 2, 3, 4, 4X, 12 and 13
- CSA Type 1, 2, 3, 4, 4X, 12 and 13
- **Complies with**
 - NEMA Type 1, 2, 3, 4, 4X, 12 and 13
 - IEC 60529, IP66

Construction

- Fiberglass polyester enclosure with matching door is easily punched, cut, or drilled.
- Enhanced UV inhibitors protect against outdoor weathering.
- Collar Studs are provided for optional inner panel.
- Mounting hardware included.
- Heavy duty continuous 304 SS Hinge.
- Flexible self-gripping gasket compresses over flange for tight seal.
- 3-point SS handle with pad lock provision.
- Molded in drip shield
- Fiberglass mounting strut side walls on double door unit.
- Operating temperatures between 130°C and -40°C (266°F to -40°F).
- Impact index of 6.78J (5 ft/lb).
- For corrosion resistance information, please refer to table in the Technical Information section.

Finish

- Fiberglass polyester material has a gray finish.
- Optional inner panels are available in white powder coated finished steel.

Accessories

- Viewing windows...see page 138

Single Door

| Part Number | Height | Width | Depth | Ship Wt (lbs) |
|-------------------|--------|-------|-------|---------------|
| PJFS722525 | 72.0 | 25.0 | 24.5 | 215 |

Double Door

| Part Number | Height | Width | Depth | Ship Wt (lbs) |
|---------------------|--------|-------|-------|---------------|
| PJFS724925DD | 72.0 | 48.0 | 24.5 | 430 |

Inner Panel - Painted Steel - Qty 1 Required

| Part Number | Height | Width | Finish |
|----------------|--------|-------|--------|
| 18P5721 | 57.0 | 21.0 | White |

Inner Panel - Painted Steel - Qty 2 Required

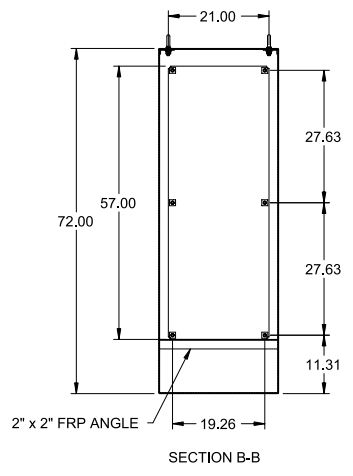
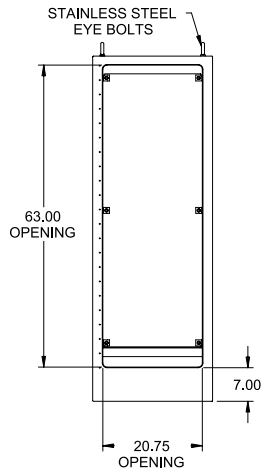
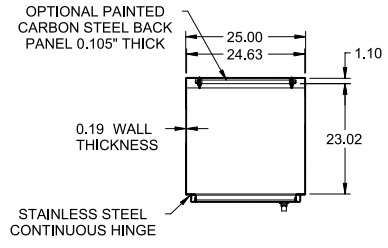
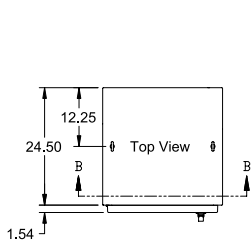
| Part Number | Height | Width | Finish |
|----------------|--------|-------|--------|
| 18P5721 | 57.0 | 21.0 | White |

Technical references and DXF downloads available at www.hammmfg.com

All dimensions in inches unless specified otherwise

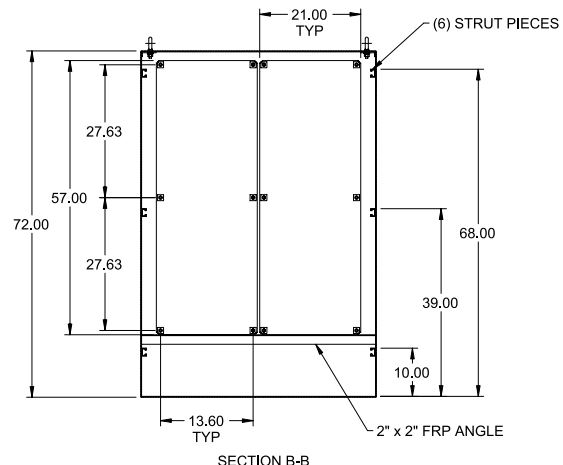
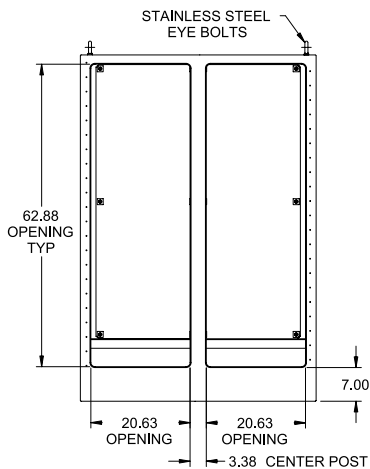
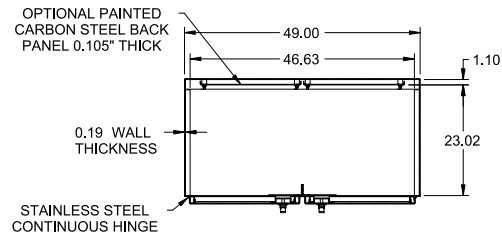
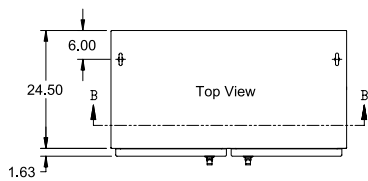
Polyester Enclosures - NEMA 4X

PJFS Series - Continuous Hinge Freestanding



**Front View
(with Single Door Open)**

Internal View



**Front View
(with Double Doors Open)**

Internal View

Corrosion Resistant

Freestanding Enclosures

Technical references and DXF downloads available at www.hammfg.com

All dimensions in inches unless specified otherwise

Quality Enclosures. Service Excellence.