

# Polyester Modular Enclosures - NEMA 4X

## PHW Series - Heavy Duty Wallmount Enclosures



Panel  
Sold  
Separately



Corrosion Resistant

Wallmount Enclosures

### Application

- These enclosures are specially designed to accommodate electrical, electronic, instrumentation and mechanical controls indoors and outdoors.
- For use where corrosion resistant watertight enclosures are needed to provide protection against windblown dust and rain, splashing and hose directed water.

### Standards

- UL 508 1, 3, 3R, 4, 4X, 12
- CSA 1, 3, 3R, 4, 4X, 12
- **Complies with**
  - NEMA 1, 3, 3R, 4, 4X, 12
  - IEC 60529, IP 66

### Construction

- Compression molded, fiberglass reinforced polyester.
- Memory retaining, continuous door gasket standard.
- Molded in panel mounting inserts (except where noted).
- Integral mounting feet.
- Stainless steel hardware.
- Padlocking provision.
- Stainless steel butterfly type "twist latch" door fasteners.
- Door is supported with a continuous hinge.
- For corrosion resistance information, please refer to table in the Technical Information section.

### Finish

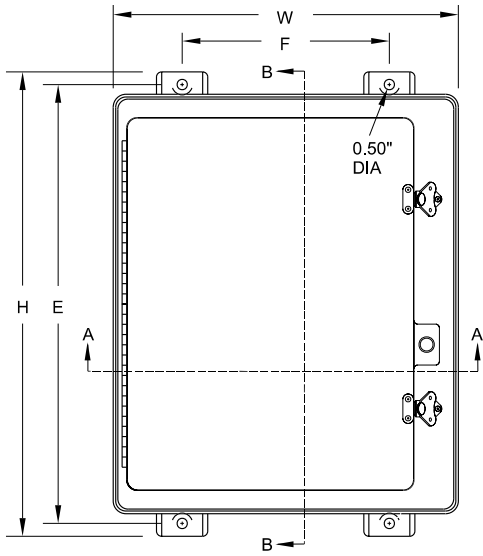
- Fiberglass reinforced material is finished in light gray.

### Accessories

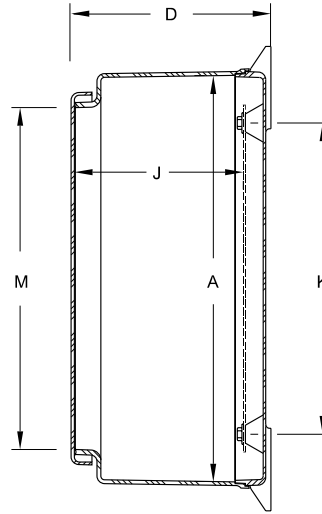
- Inner Panels

# Polyester Modular Enclosures - NEMA 4X

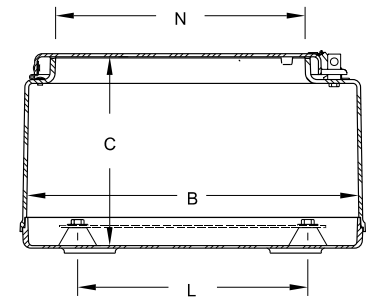
## PHW Series - Heavy Duty Wallmount Enclosures



**Front View**



**Section B-B**



**Section A-A**

**Corrosion Resistant Wallmount Enclosures**

Part No.	Overall Dimensions			Inside Dimensions			Mtg. Centers				Enclosure Opening		Optional Panel Part No.	Ship Wt. lbs		
	H	W	D	A	B	C	E	F	J	K	L	M			N	
PHW20166	inch	22.75	16.87	7.77	19.70	16.04	7.24	21.50	10.12	6.26	15.25	11.25	16.75	12.19	18P1713	17
	mm	578	429	197	500	407	184	546	257	159	387	286	425	310		
PHW20168	inch	22.75	16.87	9.77	19.70	16.04	9.24	21.50	10.12	8.26	15.25	11.25	16.75	12.19	18P1713	22
	mm	578	429	248	500	407	235	546	257	210	387	286	425	310		
PHW201610	inch	22.75	16.87	11.77	19.70	16.04	11.24	21.50	10.12	10.26	15.25	11.25	16.75	12.19	18P1713	23
	mm	578	429	299	500	407	286	546	257	261	387	286	425	310		
PHW201612	inch	22.75	16.87	13.77	19.70	16.04	13.24	21.50	10.12	12.26	15.25	11.25	16.75	12.19	18P1713	24
	mm	578	429	350	500	407	336	546	257	312	387	286	425	310		
PHW241210	inch	26.95	13.72	11.99	24.00	12.87	11.33	25.75	6.25	10.33	19.25	7.25	21.00	8.37	18P2109	25
	mm	685	348	304	610	327	288	654	159	262	489	184	533	213		
PHW24208	inch	27.00	21.24	9.90	24.05	20.39	9.25	25.75	14.00	8.25	19.25	15.25	21.25	16.00	18P2117	32
	mm	686	539	252	611	518	235	654	356	209	489	387	540	406		
PHW242410	inch	27.00	25.25	11.90	24.05	24.39	11.25	25.75	17.87	10.25	19.25	19.25	21.25	20.00	18P2121	42
	mm	686	641	302	611	619	286	654	454	260	489	489	540	508		
PHW30208	inch	32.86	20.99	9.89	29.90	20.14	9.23	31.75	14.25	8.23	25.25	15.25	27.00	16.50	19P2717	36
	mm	835	533	251	760	511	234	806	362	209	641	387	686	419		
PHW302010	inch	32.86	20.99	11.89	29.90	20.14	11.23	31.75	14.25	10.23	25.25	15.25	27.00	16.50	18P2717	39
	mm	835	533	302	760	511	285	806	362	260	641	387	686	419		
PHW30247	inch	33.41	26.32	8.81	30.46	25.47	8.12	32.25	18.50	7.12	25.25	19.25	27.38	21.25	18P2721	45
	mm	849	668	224	774	647	206	819	470	181	641	489	695	540		
PHW302410	inch	33.41	26.32	11.95	30.46	25.47	11.27	32.25	18.50	10.27	25.25	19.25	27.38	21.25	18P2721	50
	mm	849	668	304	774	647	286	819	470	261	641	489	695	540		
PHW302412	inch	33.41	26.32	13.79	30.46	25.47	13.10	32.25	18.50	12.1	25.25	19.25	27.38	21.25	18P2721	54
	mm	849	668	350	774	647	333	819	470	307	641	489	695	540		
PHW363010	inch	39.31	32.50	12.05	36.31	31.69	11.36	38.13	23.88	10.36	31.25	25.25	33.25	27.25	18P3327	78
	mm	999	826	306	922	805	289	968	606	263	794	641	845	692		
PHW363012	inch	39.31	32.50	14.05	36.31	31.69	13.36	38.13	23.88	12.36	31.25	25.25	33.25	27.25	18P3327	81
	mm	999	826	357	922	805	339	968	606	314	794	641	845	692		
PHW483616	inch	51.29	36.62	17.93	48.33	36.22	17.25	50.12	29.25	16.25	43.25	31.25	45.25	32.00	18P4533	108
	mm	1303	930	456	1228	920	438	1273	743	413	1099	794	1149	813		
PHW603616	inch	63.50	36.50	18.12	60.13	36.13	17.44	62.25	28.50	16.44	53.06	31	55.75	32.00	18P5733	155
	mm	1613	927	460	1527	918	443	1581	724	418	1348	787	1416	813		

Inches are for reference only. Use metric for precise measurements.

Technical references and DXF downloads available at [www.hamfmg.com](http://www.hamfmg.com)

All dimensions in inches unless specified otherwise

**Quality Enclosures. Service Excellence.**